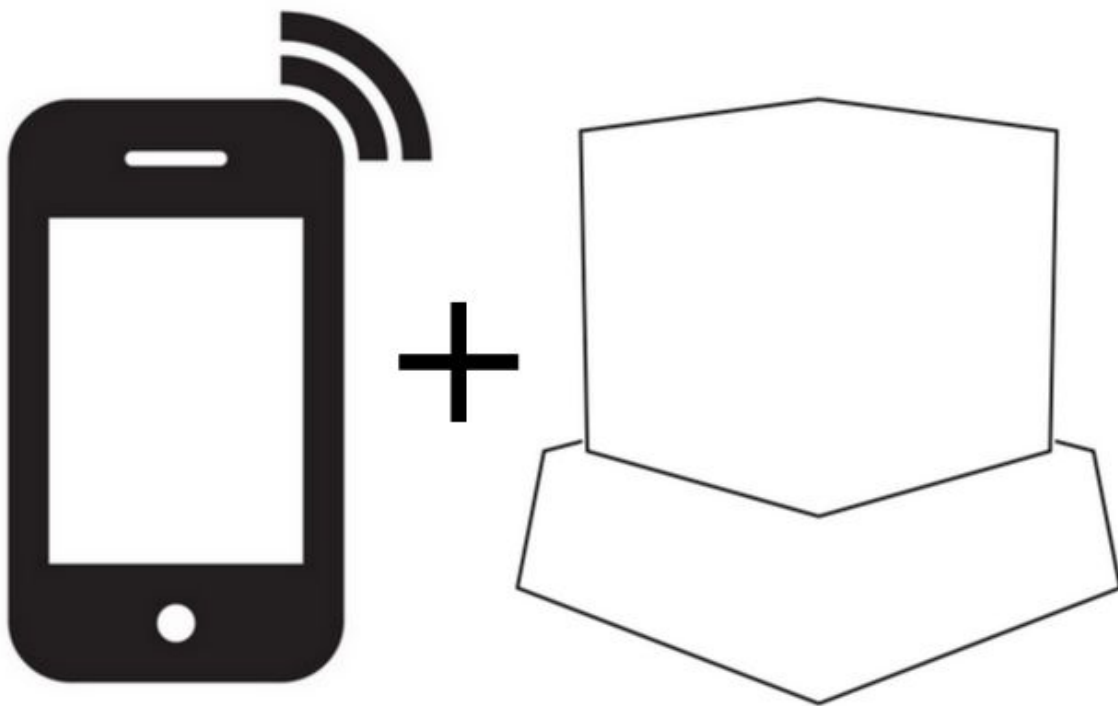


Quickstart Guide

How to configure a BI-Beacon

using a Mobile Phone



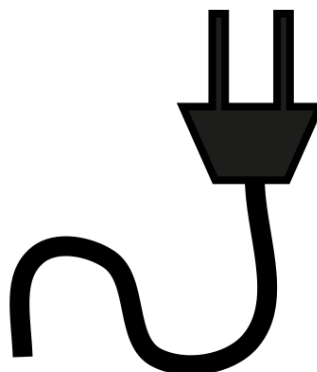
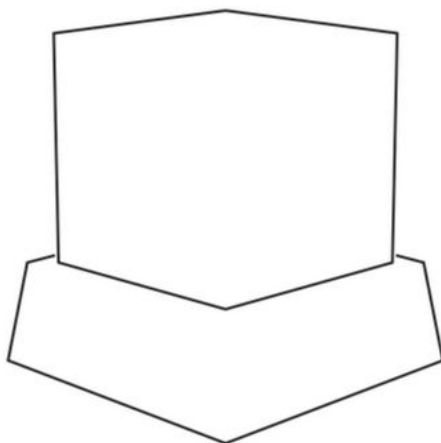
BI-Beacon

WiFi Lantern – A modern campfire



Prepare

1. Decide which WiFi¹ router the BI-Beacon should connect to
2. Have the password of that WiFi ready
3. Turn off WiFi and mobile data on phone



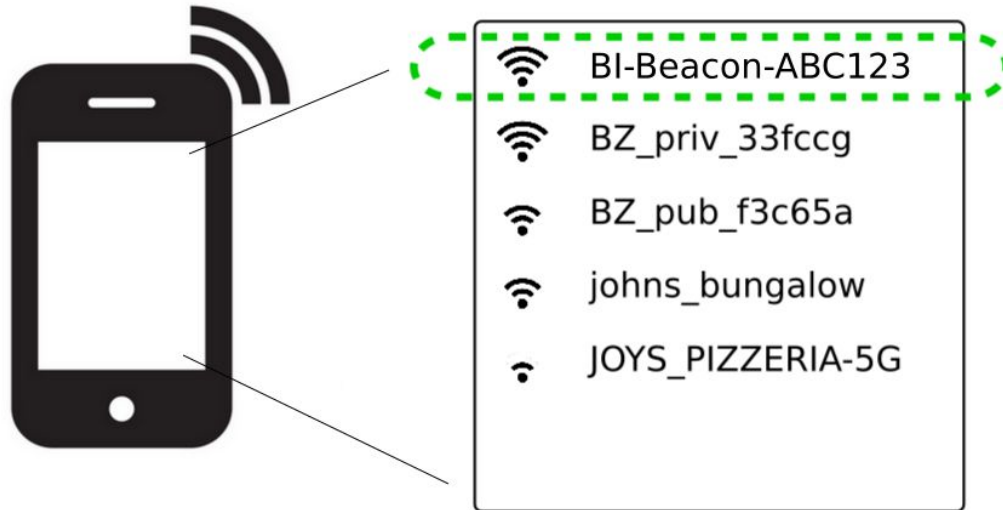
¹ Needs to be a 2.4 GHz Access Point

BI-Beacon

WiFi Lantern – A modern campfire

Plugin

1. Plugin your BI-Beacon to an electric wall socket
2. It turns blue
3. After 30 seconds the BI-Beacon starts shifting green and blue

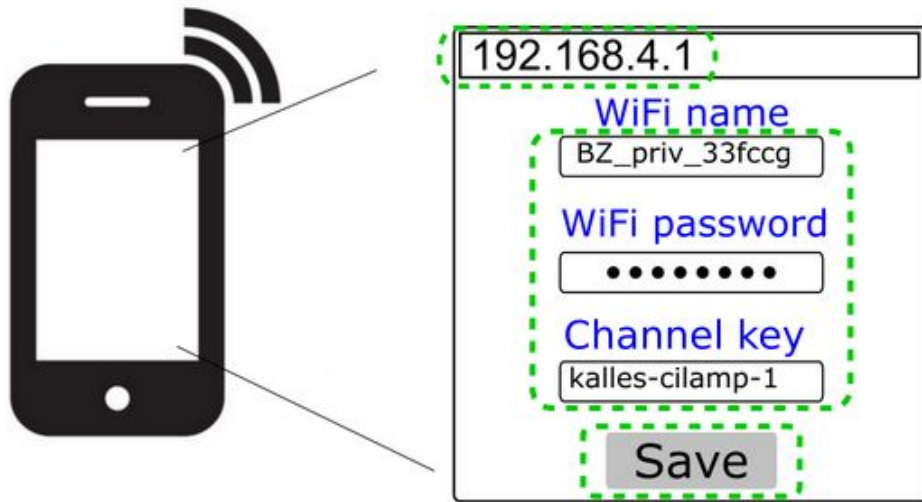


Connect

1. Turn on WiFi on mobile
2. Find the WiFi named “BI-Beacon-ABC123” (last 6 is random!)
3. Connect mobile to the BI-Beacon WiFi
4. *Note:* ignore any warnings of “no internet”
 - a. (of course the Beacon does not have internet! It is not magic.. yet)

BI-Beacon

WiFi Lantern – A modern campfire

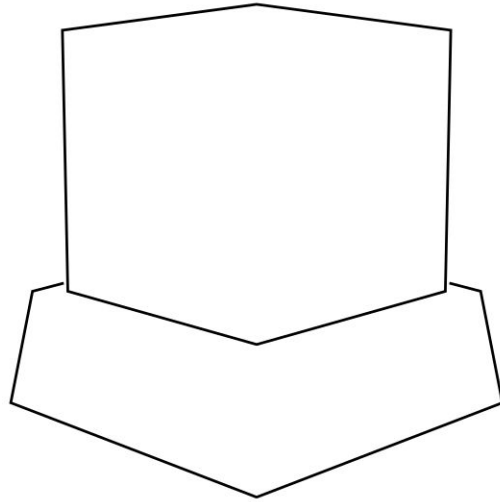


Configure

1. Start mobile browser
2. Surf to <http://192.168.4.1>
 - a. You may need to reload the page a couple of times
3. Fill in WiFi name and password
 - a. This network will be used by the Beacon during operation
4. Fill in Channel key
 - a. This API key will be used to control your Beacon
 - b. It is Case Sensitive
 - c. *Hint:* Write it down, it is not visible after configuration is complete!
5. Leave state server unchanged
 - a. .. unless you are hosting yourself - that's a topic beyond this quickstart
6. Press Save
 - a. No visible reaction? Press Save again!

BI-Beacon

WiFi Lantern – A modern campfire



Issues?

Send a mail to
contact@bi-beacon.se

Good luck and have fun!

BI-Beacon

WiFi Lantern – A modern campfire